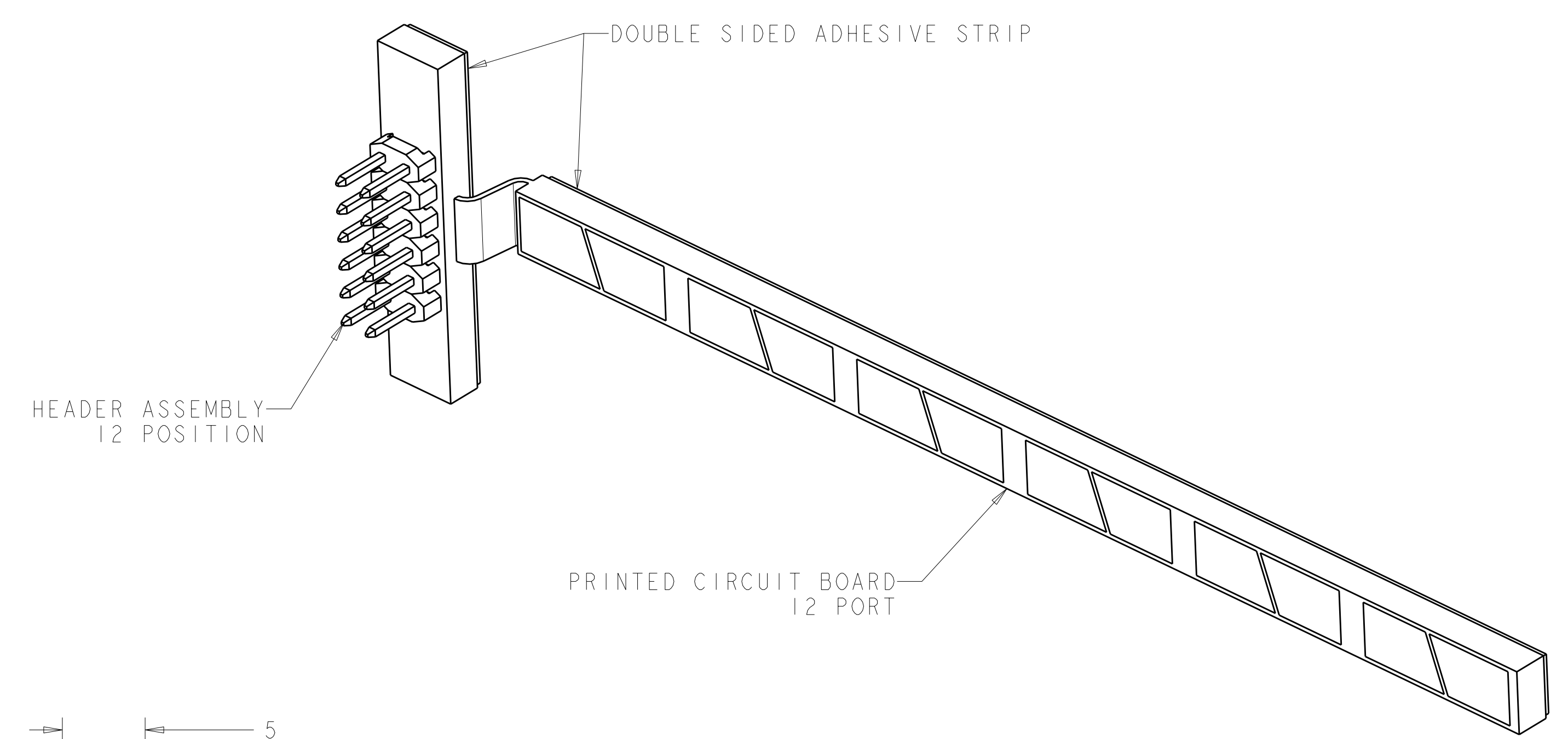
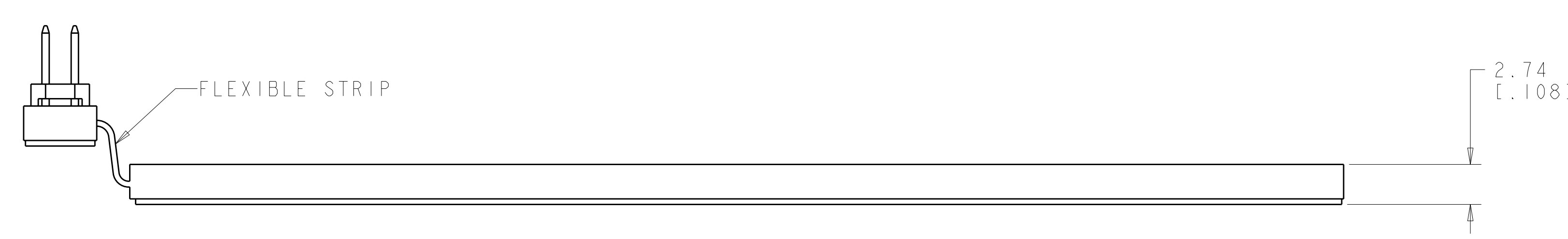
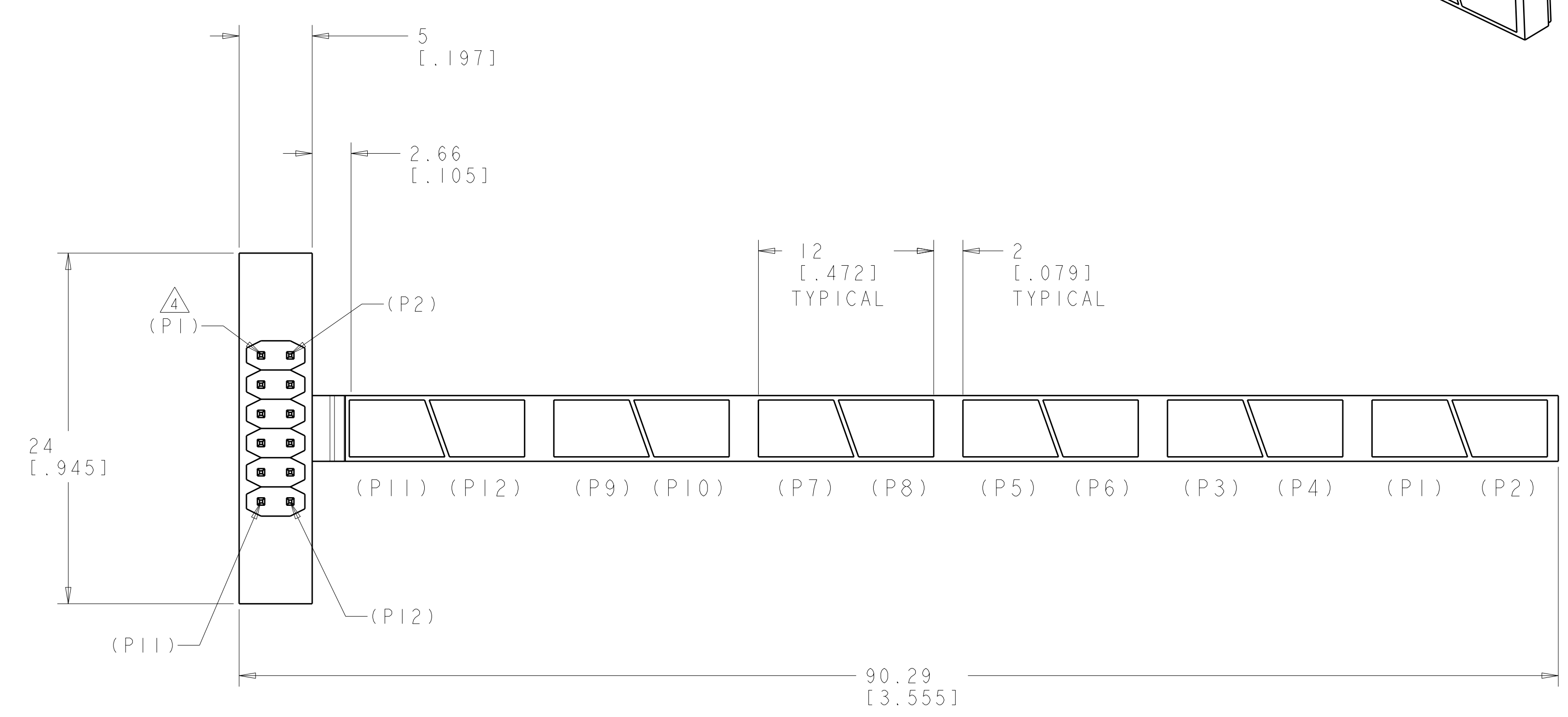


LOC	DIST	REVISIONS			
HM	00	REV	DATE	BY	APPD
		A	09MAR2007	GG	JC
		B	24MAY2007	GG	SH
		C	13FEB2008	GG	DC



- 1 MATERIAL:
PRINTED CIRCUIT BOARD - LAMINATED PLASTIC FR-4, 2.36 [.093] THICK.
ADHESIVE TAPE - MYLAR, 0.38 [.015] THICK.
HOUSING - THERMOPLASTIC, UL94V-0, BLACK.
CONTACTS - COPPER ALLOY.
- 2 ALL DIMENSIONS SHOWN ARE NOMINAL.
- 3 PARENTHESIS () ARE FOR REFERENCE ONLY. NOT SHOWN ON BOARD.
- 4 (P_) CALLOUTS ARE FOR PIN TO PAD REFERENCE ONLY.



1933241-1
PART NUMBER

<small>THIS DRAWING IS UNPUBLISHED. RELEASED FOR PUBLICATION BY TYCO ELECTRONICS CORPORATION. ALL RIGHTS RESERVED.</small>		DWN G. GARRETT 09MAR2007 CHK J. CREASON 09MAR2007 APVD J. CREASON 09MAR2007	Tyco Electronics Harrisburg, PA 17105-3608
DIMENSIONS: MM [INCHES]	TOLERANCES UNLESS OTHERWISE SPECIFIED: 0 PLC ± .2 1 PLC ± .15 2 PLC ± .1 3 PLC ± .075 4 PLC ± .05 ANGLES ± .5	NAME ASSEMBLY, AMPTRAC SENSOR STRIP, CISCO 2960 PRODUCT SPEC - APPLICATION SPEC -	SIZE A1 CAGE CODE 00779 DRAWING NO C=1933241 RESTRICTED TO -
MATERIAL -	FINISH -	WEIGHT -	SCALE 4:1 SHEET 1 OF 1 REV C
CUSTOMER DRAWING			